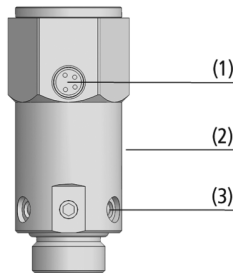


Inline Valves IV

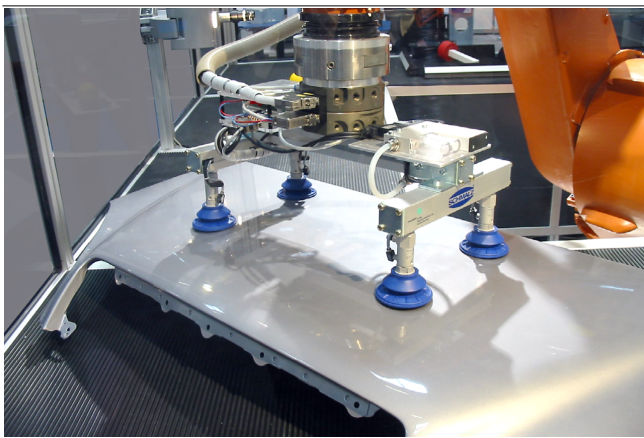
Nominal diameter 3 mm



Inline Valves IV



System design Inline Valves IV



Suction cups with inline valves IV being used for handling carbody parts

Suitability for industry specific applications

Application

- Inline valve for deactivation of unused suction cups
- Individual control of the suction cups in a "vacuum carpet", e.g. when order picking
- System monitoring in vacuum spiders by activation and deactivation of suction cups

Design

- Attachment facility for vacuum sensor
- External body made of aluminum (2)
- Integrated filter (3) for ventilation
- 4-pin M8 connector (1)
- Nominal diameter 3 mm and nominal flow rate 2 m³/h

Product highlights

- Direct mounting on the suction cup enables control of single suction cups
- Very compact design and easy to install
- Screen against contamination increases functional reliability
- Decentralized control and system monitoring (optional) for more process safety and less downtime

Inline Valves IV

Nominal diameter 3 mm

Designation code Inline Valves IV

IV	-	3	-	3/2	-	G3/8-IG	-	G3/8-AG	-	24V-DC
1		2		3		4		5		6

1 – Abbreviated designation

Code	Version
IV	IV

2 – Nozzle size

Code	Nozzle size in mm
3	3

3 – Variant

Code	Type
3/2	3/2-way valve

4 – Vacuum connection

Code	Connection
G1/4-IG	G1/4-IG (IG = female (F))
G3/8-IG	G3/8-IG

5 – Suction cup connection

Code	Connection
G3/8-AG	G3/8-AG (AG = male (M))

6 – Voltage

Code	Voltage in V
24V-DC	Direct current

Inline valve IV is delivered as a ready-to-connect product (without connection cable).

Available accessories: connection cable, vacuum sensors

Ordering data Inline Valves IV

Type	Part no.
IV 3 3/2 G1/4-IG G3/8-AG 24V-DC	10.05.01.00173
IV 3 3/2 G3/8-IG G3/8-AG 24V-DC	10.05.01.00172

Ordering data Accessories Inline Valves IV

Type*		Part no.
Connection cable, M8 4-pole, 5 m, PUR, straight	ASK B-M8-4 5000 K-4P	10.06.02.00031
Connection cable, M8 4-pole, 5 m, PUR, 90°	ASK WB-M8-4 5000 K-4P	10.06.02.00032
Vacuum sensor analog	VS-V-SA M5-AG	10.06.02.00224
Vacuum sensor digital	VS-V-SD 60 M5-AG	10.06.02.00257

*See section "Switches and system monitoring" for further details

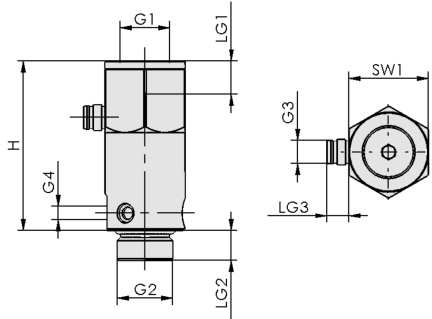
Technical data Inline Valves IV

Type	Nominal size [mm]	Control valve	Voltage	Nominal flow rate [l/min]	Nominal flow rate [m³/h]	Power consumption DC [W]	Weight [kg]
IV 3 3/2 G1/4-IG G3/8-AG 24V-DC	3	Normally open	24 V - DC	20	2	4.5	0.074
IV 3 3/2 G3/8-IG G3/8-AG 24V-DC	3	Normally open	24 V - DC	20	2	4.5	0.074

Inline Valves IV

Nominal diameter 3 mm

Design data Inline Valves IV



IV

Inline Valves IV

Nominal diameter 3 mm

Design data Inline Valves IV

Type	G1	G2			H [mm]	LG1 [mm]	LG2 [mm]	LG3 [mm]	SW1 [mm]
IV 3 3/2 G1/4-IG G3/8-AG 24V-DC	G1/4"-F	G3/8"-M	M8-M	M5-F	51	9	9	6.5	24
IV 3 3/2 G3/8-IG G3/8-AG 24V-DC	G3/8"-F	G3/8"-M	M8-M	M5-F	51	9	9	6.5	24